

# GLASS DOOR HINGE, F/ALU FRAMES

- high quality furniture fittings



## GLASS DOOR HINGE, F/ALU FRAMES F/INSET DOORS - CENTRE

Application:

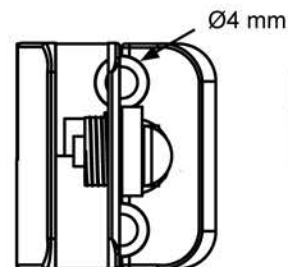
- Glass door hinge with catch for inset doors. Centre – or top fixation for rounded doors
- For right & left hand doors
- No boring required but possible by using the extra extension screw supplied.
- F/Glass thickness 4-6 mm
- 110 Degree opening depending on fixation
- Horizontal screw fixation
- Max door size: 1000 x 400 mm

### Specification:

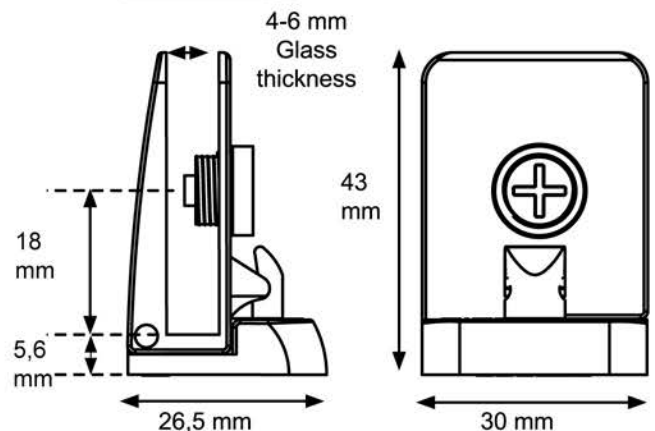
Material	Finish
Zamak	Chrome Plated
Zamak	Alu Finish
Zamak	Black Anodized
Zamak	Gold Plated
Zamak	Bronze Plated

Each handle is supplied with:  
1 ABS plastic screw w/soft PVC-tip for tight fastening without boring and 1 ABS plastic screw w/hard Ø6 x 3,5 mm ABS extension when boring required.

Optional: Zamak screw w/soft tip, 4mm Hex & PZD



ABS plastic screws



Optional: Zamak screw